

# KS2 PE Curriculum Map 2024-25

**Teamwork Games**

**Swimming**



**Volleyball, Handball & Basketball**



**Autumn 1**

**Spring 1**

**Summer 1**

**Autumn 2**

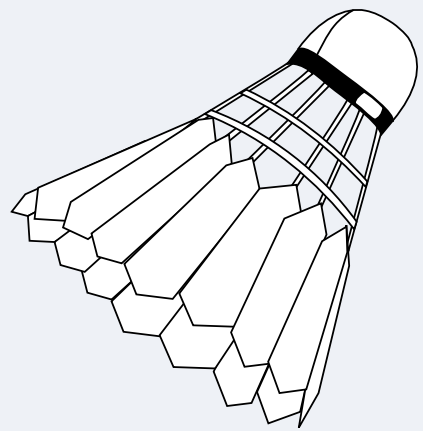
**Spring 2**

**Summer 2**

**Swimming**

**Football**

**Racket Sports**



# Year 7 PE Curriculum Map 2024-25

**Handball, Basketball & Dodgeball**

**Swimming**

**Tennis, Badminton & Pickleball**



**Autumn 1**

**Spring 1**

**Summer 1**

**Autumn 2**

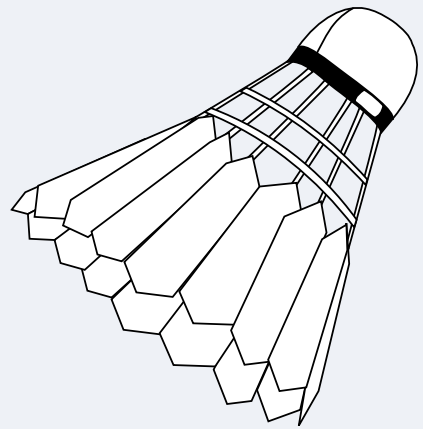
**Spring 2**

**Summer 2**

**Fun Fitness**

**Football**

**Cricket, Rounders & Athletics**



# Year 8 PE Curriculum Map 2024-25

**Handball, Volleyball & Dodgeball**

**Autumn 1**

**Swimming**

**Spring 1**



**Fun Fitness**

**Summer 1**



**Autumn 2**

**Basketball**

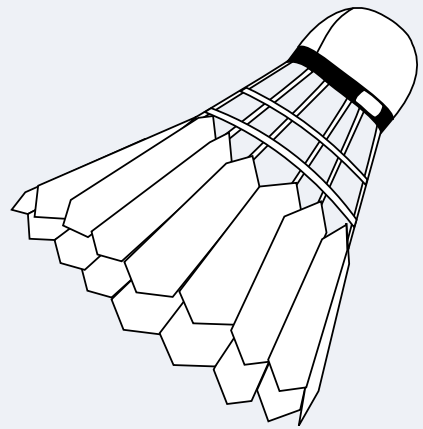
**Spring 2**

**Football**



**Summer 2**

**Tennis, Badminton & Pickleball**



# Year 9 PE Curriculum Map 2024-25

**Fun Fitness /  
Handball, Volleyball &  
Dodgeball**

**Autumn 1**

**Hockey & Golf**

**Spring 1**



**Tennis, Badminton &  
Pickleball**

**Summer 1**

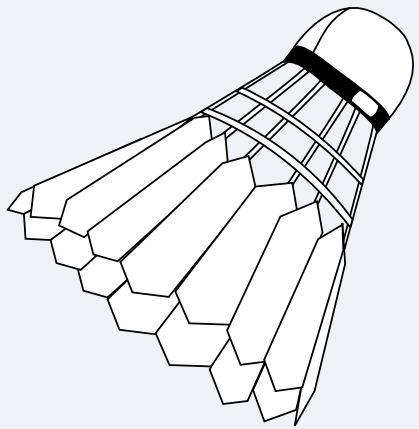


**Autumn 2**

**Spring 2**

**Summer 2**

**Swimming /  
Benchball & Basketball**



**Football**



**Cricket, Rounders & Athletics**



# Year 10 PE Curriculum Map 2024-25

**Handball, Benchball & Dodgeball**

**Tennis, Badminton & Pickleball**

**Fun Fitness**



**Autumn 1**

**Spring 1**

**Summer 1**

**Autumn 2**

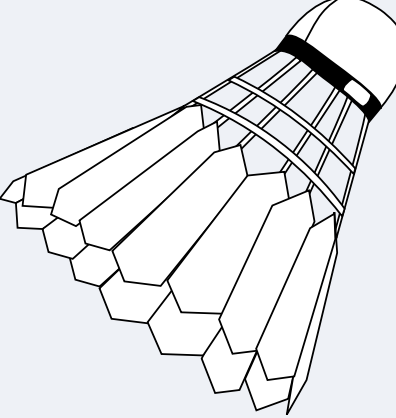
**Spring 2**

**Summer 2**

**Volleyball & Basketball**

**Football**

**Cricket, Tag Rugby & Orienteering**



# Year 11 PE Curriculum Map 2024-25

**Handball, Benchball & Dodgeball**

**Autumn 1**

**Fun Fitness**

**Spring 1**

**Tennis, Badminton & Pickleball**

**Summer 1**



**Autumn 2**

**Spring 2**

**Summer 2**

**Volleyball & Basketball**

**Football**

**Tennis, Badminton & Pickleball**

